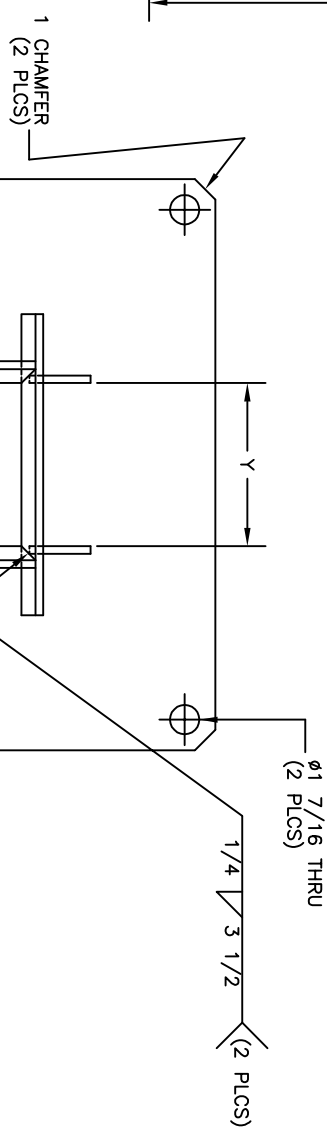
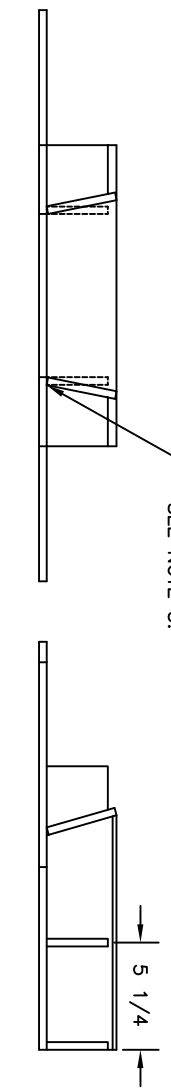


X	Y	Z	P
7	6	4	.43
7	6	6	.29
7 1/2	6	6	.43
10	6	6	1.11
10	8	6	.58
11	8	6	.85
12	10	5	.69
14	12	6	.58
14 1/2	11 3/4	6 1/4	.75

TANK LEG DIMENSIONS



FOR WELD DETAILS
SEE NOTE 3.



GUSSET-QTY. 6

NOTES:

1. USE 1/2 THICK STEEL PLATE FOR BASE AND 3/8 THICK STEEL PLATE FOR GUSSET PLATES.
2. TO OBTAIN "P" DIMENSION SEE TABLE.
3. WELD GUSSETS TO SIDE AND END PLATES, THEN WELD THOSE ASSEMBLES TO BOTTOM PLATE, ALL WELDS TO BE CONTINUOUS 1/4 FILLET.
4. UNIT TO BE HOT-DIPPED GALVANIZED AFTER FABRICATION.
5. FOUR (4) RESTRAINTS REQUIRED FOR 3000-6000 GAL. TANKS AND SIX (6) FOR 8000-12000 GAL. TANKS.
6. "HILT" HSL METRIC M24 OR EQUIVALENT ANCHOR BOLTS.
7. 6 1/8 MINIMUM EMBEDMENT DEPTH.
8. 12" MINIMUM DISTANCE FROM EDGE OF CONCRETE SLAB/FOOTING.
9. CONCRETE SLAB TO HAVE MINIMUM 5000 PSI COMPRESSIVE STRENGTH.

THIS DRAWING PERTAINS TO THE 2007 CBC, 2006 IBC PROVISIONS FOR (SITE CLASS "D", $S_{ds} \leq 1.0$)

7-30-09	UPDATED TO 2006 IBC, 2007 CBC	TJS/TJS	TEL: 800-222-7099	FAX: 209-632-4711
12-10-02	ADDED DIMENSION TO TABLE	TEL J/E	SCALE: 1:10 DR: TOM L/CK: JOHN E	
1-2-01	INITIAL RELEASE	DR. CK		

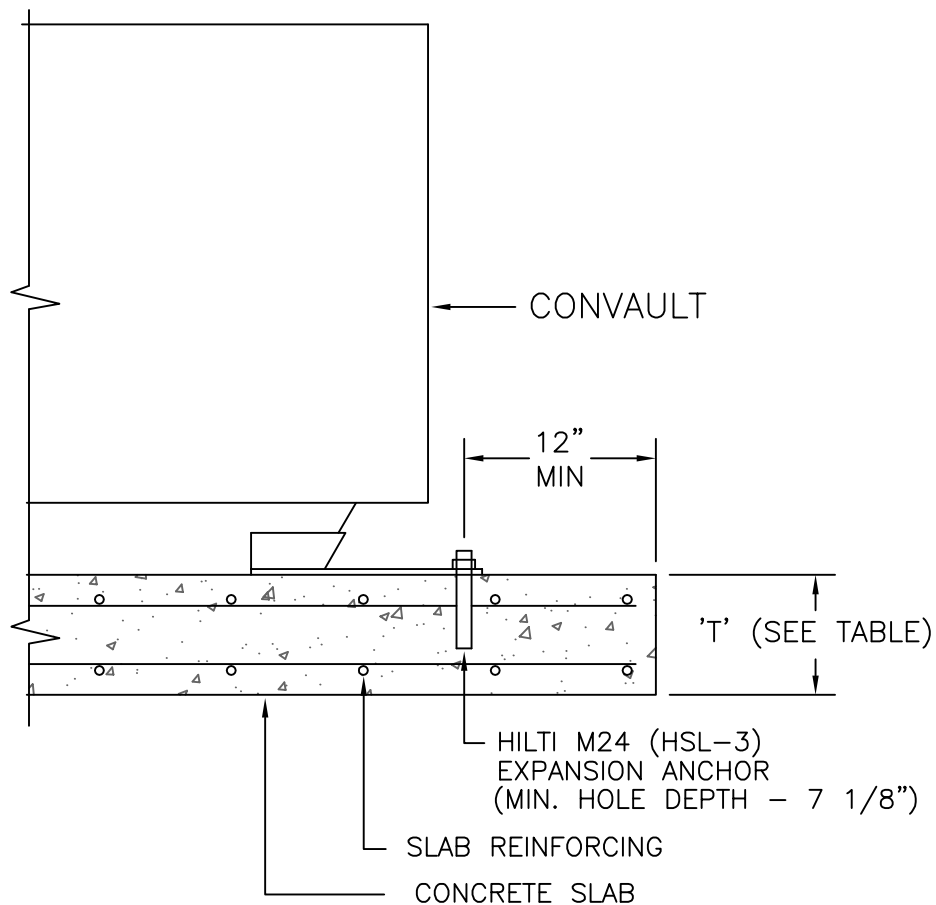
ALL DIMENSIONS ±1/16" UNLESS OTHERWISE SPECIFIED
ALL DIMENSIONS IN INCHES UNLESS OTHERWISE SPECIFIED
STEEL PLATE THICKNESS DEPENDS UPON TANK SIZE

CONVAULT

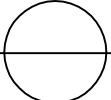
SEISMIC RESTRAINTS FOR 3000-12000 GAL CONVAULT TANKS

DO NOT SCALE DRAWING

DWG. No: GEN001 Pg: 4



CONVAULT TANK (GAL)	MIN SLAB THKNSS (IN) "T"
3000	10"
4000	10"
5200	10"
6000	10"
8000	10"
10000	10"
12000	10"

DETAIL  SECTION AT SEISMIC RESTRAINT
 $\frac{3}{4}$ " SDS \leq 1

